



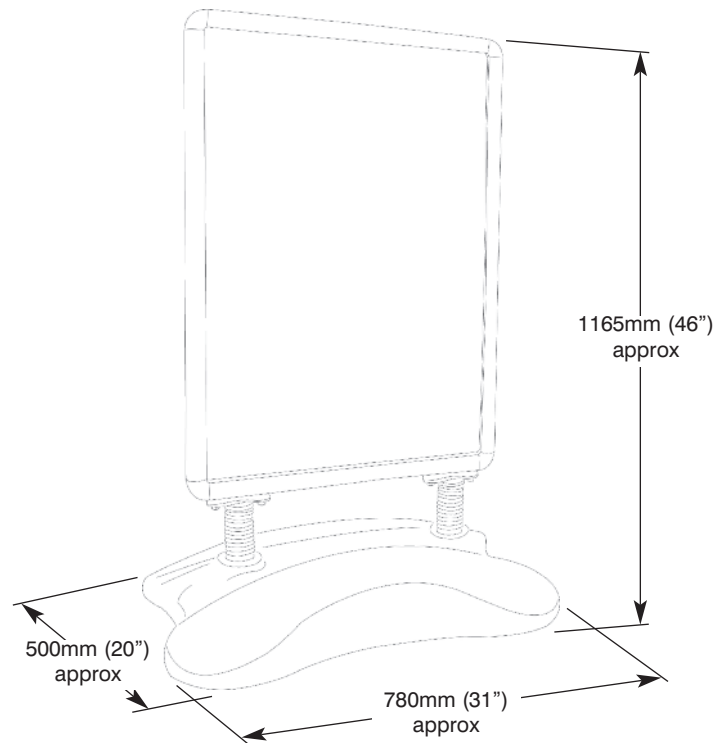
Whirlwind is a heavy-duty double sided swing sign for displaying A1 size posters. The unit has a wheeled compact moulded base that can be filled with water or sand. The snap frame poster holders make changing your message extremely quick and simple.

features & benefits

- Double sided
- Easy front loading aluminium snap frames
- Suitable for indoor or outdoor use
- Heavy-duty construction
- Wheeled compact moulded base that can be filled with water or sand
- Complete with protective graphics covers



Integral wheels make Whirlwind easy to move

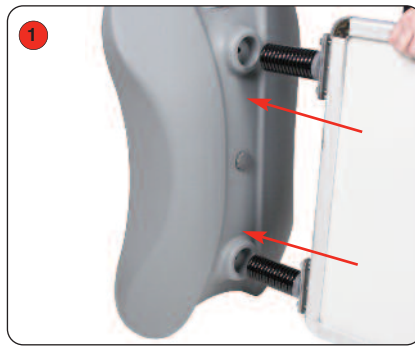


hardware specifications	graphic specifications	additional info
<p>Assembled dimensions: 1165mm (h) x 780mm (w) x 500mm (d) approx 46" (h) x 31" (w) x 20" (d) approx</p> <p>Weight: 11kg approx when empty & 36kg approx when filled with water. (capacity 25 litres approx) 24.2lbs approx when empty & 79.2 lbs approx when filled with water (capacity 6.60 US gallons approx)</p>	<p>Please refer to graphic template</p>	<p>Availability: Aluminium frame with Anodised silver finish and grey moulded base.</p> <p>Note : When moving the unit do not drag the base. Tip unit onto it's wheels and pull or push to move.</p>

Assembly Instructions



Kit includes: Snap frame, moulded base and 2 x bolts



1 Insert the snap frame springs into the moulded base.



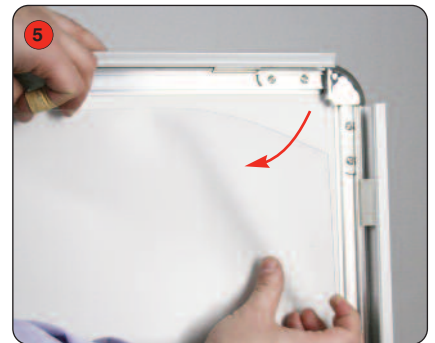
2 Insert bolt and washer through the top of the moulded base.



3 Tighten the bolt to secure the snap frame to the moulded base. Repeat steps 3 and 4 for the second bolt.



4 Open up the snap frame sides.



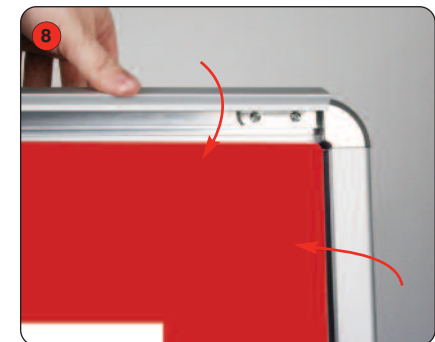
5 Remove the protective cover.



6 Fit the graphic into the snap frame.



7 Fit the protective cover.



8 Close the snap-frame sides to hold the graphics in place.

Note :

When moving the unit do not drag the base.

Tip unit onto it's wheels and pull or push to move.