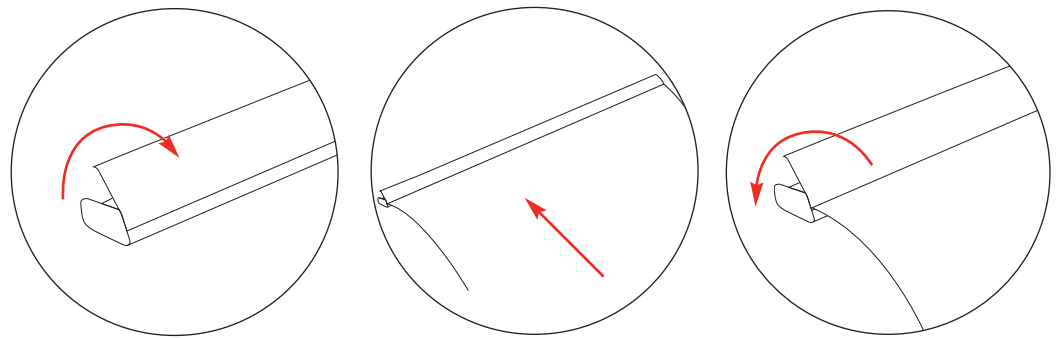
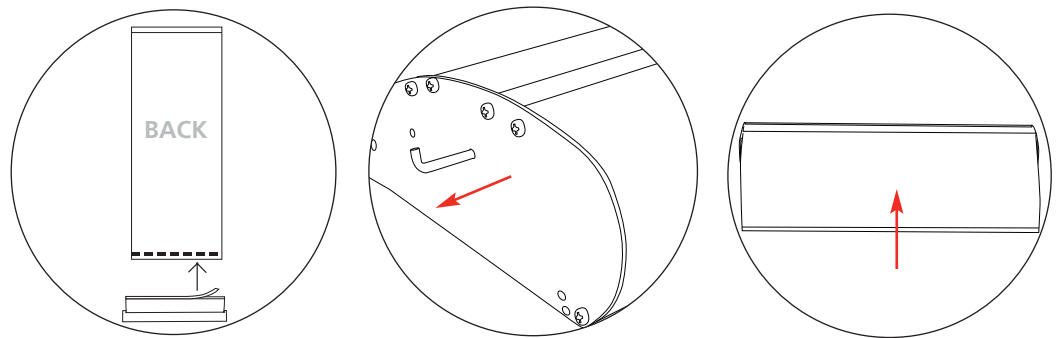




Snap Top Rail Attachment



Bottom Graphic Attachment

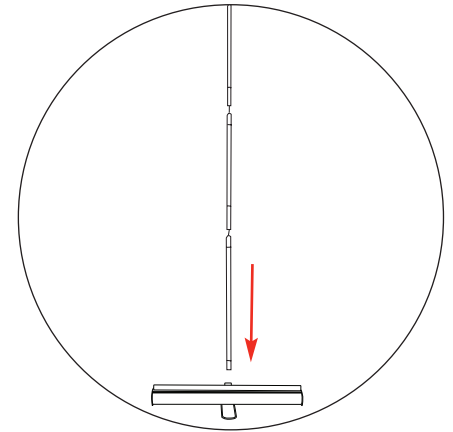
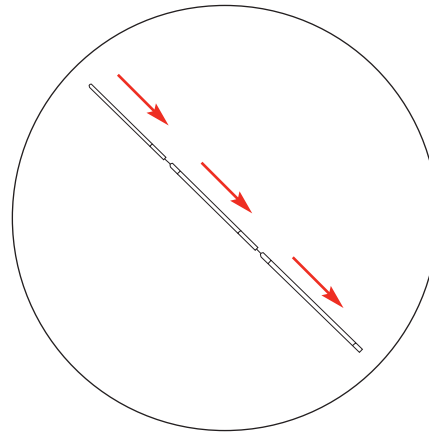
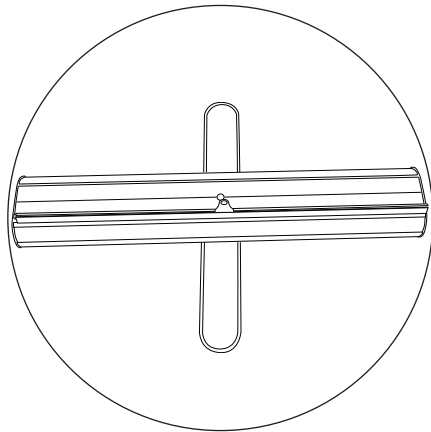
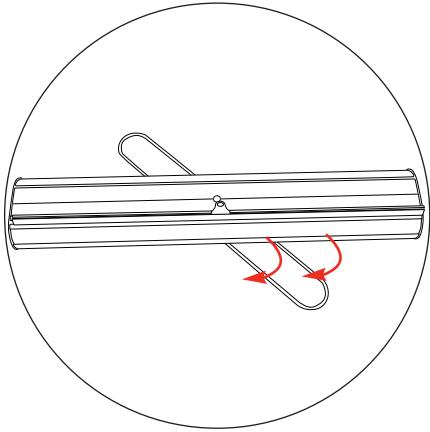


Total Visual Graphic Area: 2000(h) x 850(w) mm
 Total Visual Graphic Area: 2000(h) x 1000(w) mm
 Material thickness: 225-300 microns
 Add 150mm to graphic length to allow for roller

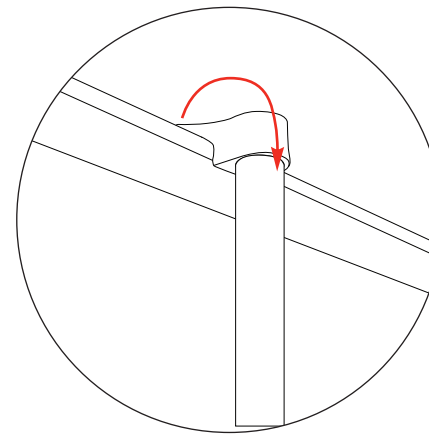
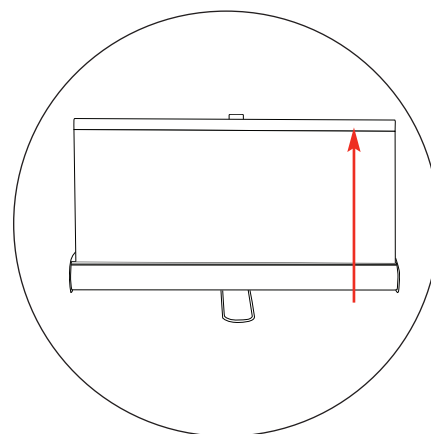
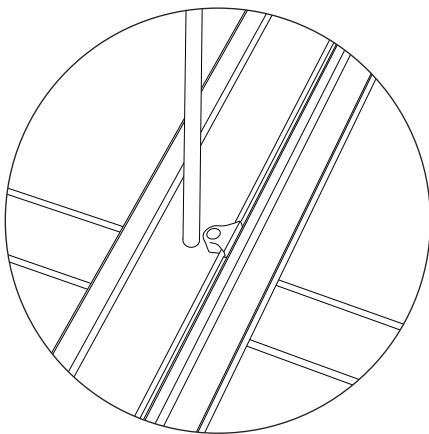
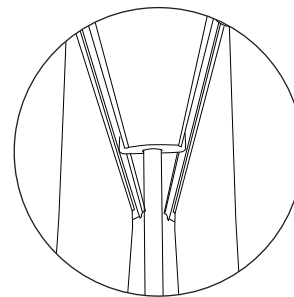
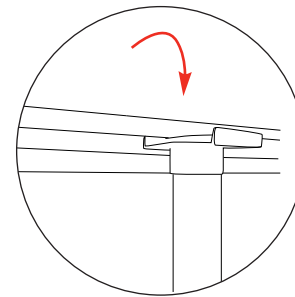
Rev7
06.14

All sizes are based on 850mm

Assembly



Double Sided only



We are continually improving and modifying our product range and reserve the right to vary the specifications without prior notice. All dimensions and weights quoted are approximate and we accept no responsibility for variance. E&OE.